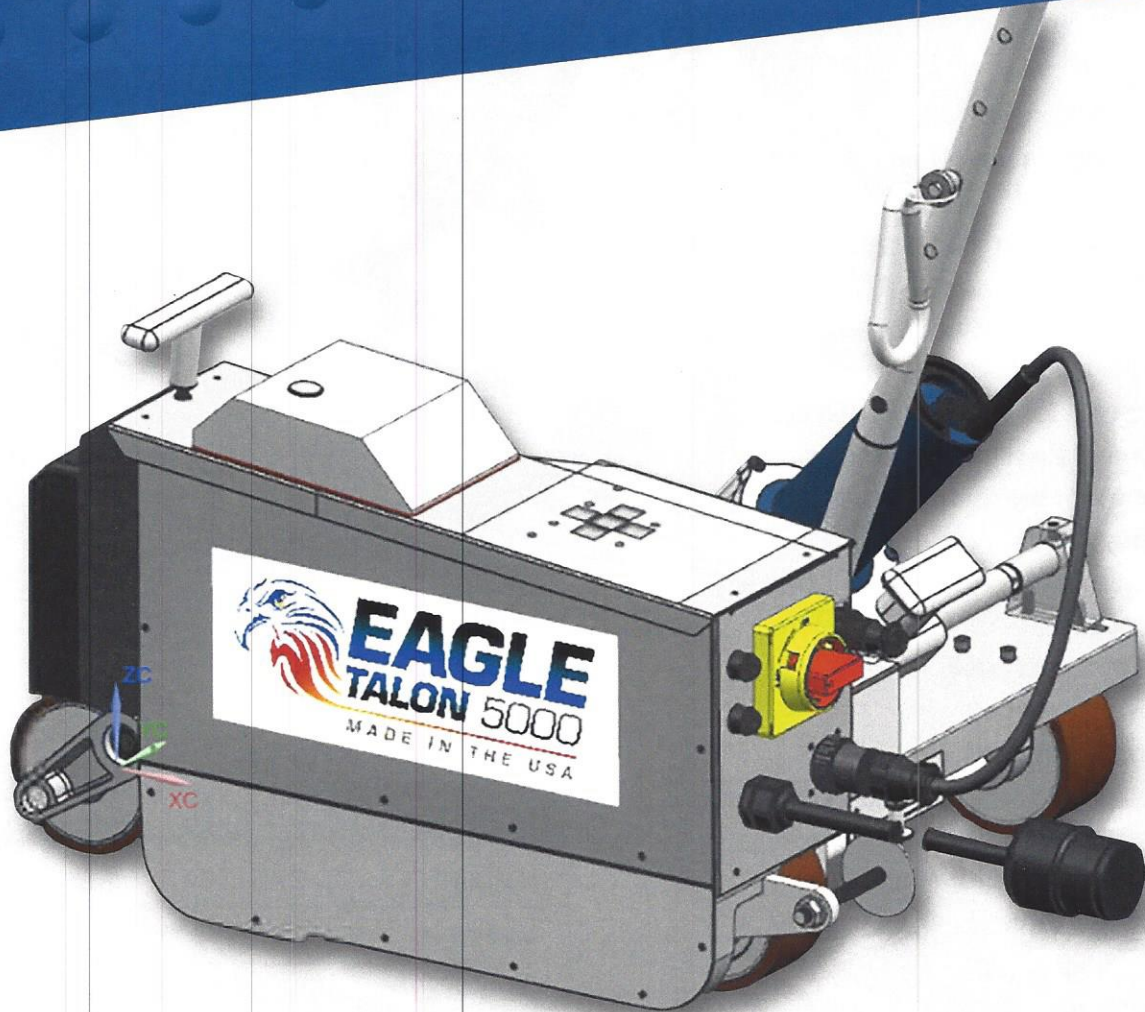


# TALON 5000

## AUTOMATIC HOT AIR WELDER FOR THERMOPLASTIC MEMBRANES



The **Eagle Talon 5000** automatic hot air welder is designed to weld all types of thermoplastic membranes (TPO, PVC, CSPE). This machine is extremely “user friendly” easy to use tool. It features accurate digital temperature control by using a thermocouple connected to a robust microprocessor giving one a closed loop system. It also features independent variable temperature and speed controls. The angled display makes reading in sunlight easier. There is also a LED work light in the welding nozzle area to facilitate directional control under conditions of dark or cloudy days

 **the WINSTON**  
group, ltd.

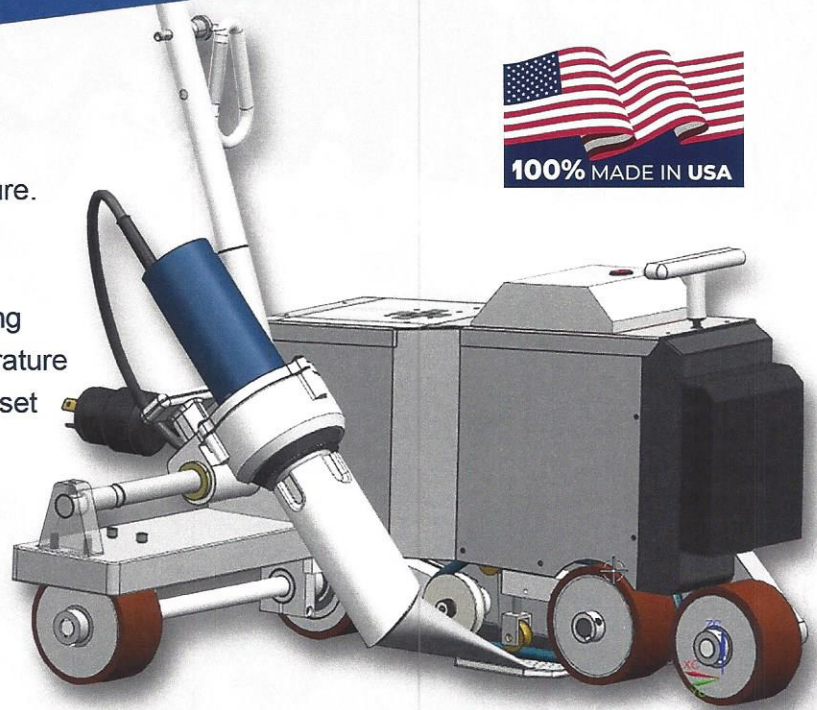




# TALON 5000

## AUTOMATIC HOT AIR WELDER FEATURES

- Digital temperature control. Easy to set temperature.
- Maintains temperature within 2 degrees F of set temperature.
- Automatic cool down feature when finished welding Indicator light will glow constant red until set temperature is approached. At this point the red light blinks until set temperature is achieved.
- Digital read out for accurate speed control
- Closed loop system for all electronics
- Automatic start/stop feature when welding nozzle is engaged.
- Ability to alter air flow from 100% down to 70%
- Ability to monitor:
  - Elapsed time unit used
  - Feet traveled per day
  - Feet traveled lifetime
- Robust circuitry to withstand voltage spikes
- Predetermined error messages: message are in PLAIN ENGLISH not error codes
  - Bad heat element
  - Failed thermocouple
  - Failed blower motor
  - Under voltage
- Voltage meter installed
- Top mounted controls for easy access
- Machine will cut off if voltage is too low
- Guide handle can be easily adjusted for height
- Built in alignment adjustment
- Plug in heat element for easy replacement
- Integrated weights



### PERFORMANCE SPECIFICATION

<b>Voltage</b>	<b>220/230V</b>
<b>Wattage</b>	<b>4600 Watts</b>
<b>Air Flow</b>	<b>16-21 CFM (450-600 litres/min)</b>
<b>Temperature</b>	<b>Ambient – 1200F (650 C)</b>
<b>Speed</b>	<b>0-25 ft/min (7.6 meters/min)</b>
<b>Weight</b>	<b>77 lbs (35kg)</b>



1092 Carolina Drive, Suite One, West Chicago, IL 60185

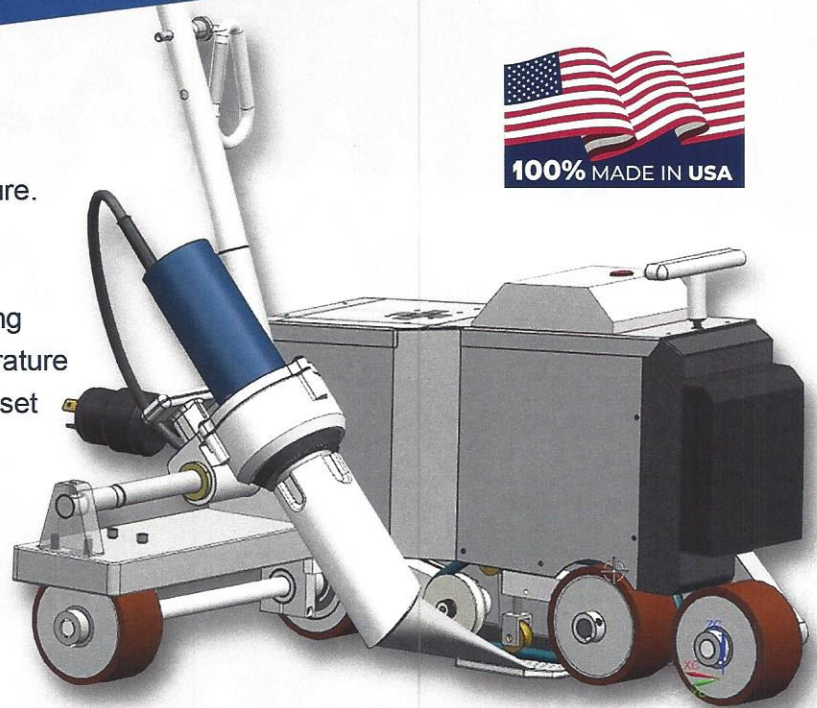
Phone: 630.231.0419 Fax: 630.231.0429

Email: [sales@winstongroup.com](mailto:sales@winstongroup.com) Web: [www.winstongroup.com](http://www.winstongroup.com)



# TALON 5000

## AUTOMATIC HOT AIR WELDER FEATURES



- Digital temperature control. Easy to set temperature.
- Maintains temperature within 2 degrees F of set temperature.
- Automatic cool down feature when finished welding Indicator light will glow constant red until set temperature is approached. At this point the red light blinks until set temperature is achieved.
- Digital read out for accurate speed control
- Closed loop system for all electronics
- Automatic start/stop feature when welding nozzle is engaged.
- Ability to alter air flow from 100% down to 70%
- Ability to monitor:
  - Elapsed time unit used
  - Feet traveled per day
  - Feet traveled lifetime
- Robust circuitry to withstand voltage spikes
- Predetermined error messages: message are in PLAIN ENGLISH not error codes
  - Bad heat element
  - Failed thermocouple
  - Failed blower motor
  - Under voltage
- Voltage meter installed
- Top mounted controls for easy access
- Machine will cut off if voltage is too low
- Guide handle can be easily adjusted for height
- Built in alignment adjustment
- Plug in heat element for easy replacement
- Integrated weights

PERFORMANCE SPECIFICATION	
Voltage	220/230V
Wattage	4600 Watts
Air Flow	16-21 CFM (450-600 litres/min)
Temperature	Ambient – 1200F (650 C)
Speed	0-25 ft/min (7.6 meters/min)
Weight	77 lbs (35kg)



1092 Carolina Drive, Suite One, West Chicago, IL 60185  
 Phone: 630.231.0419 Fax: 630.231.0429  
 Email: sales@winstongroup.com Web: www.winstongroup.com